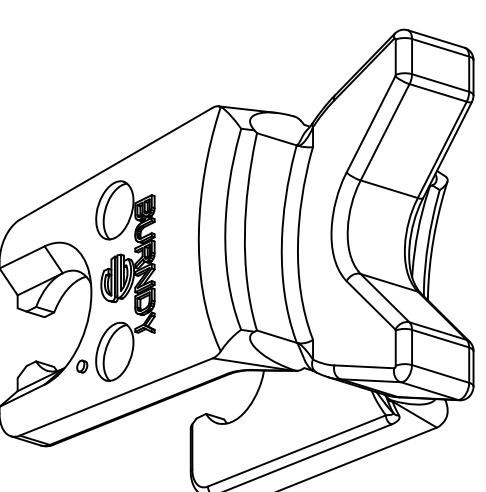
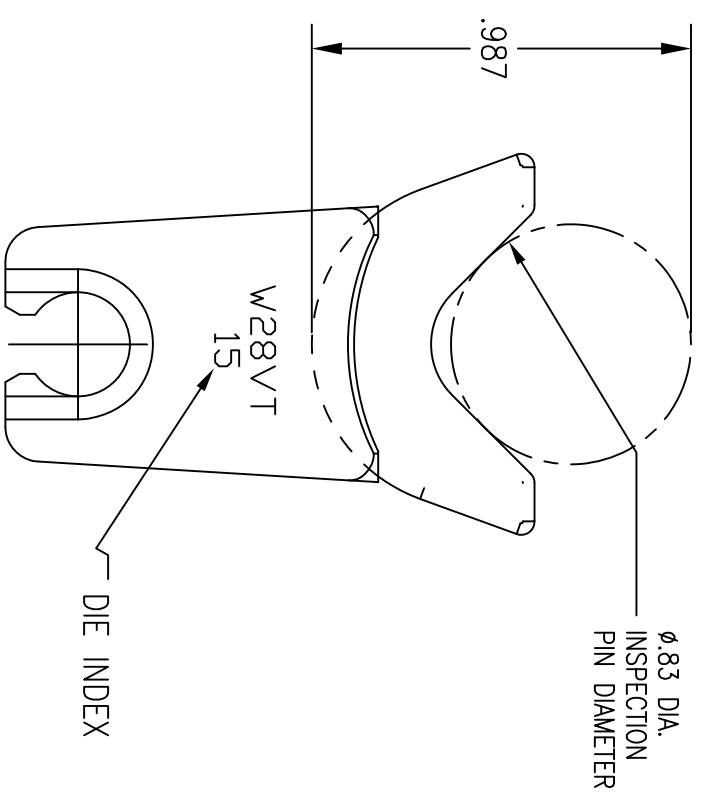
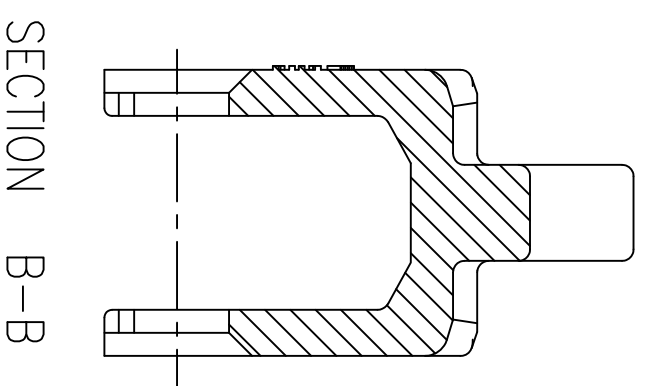
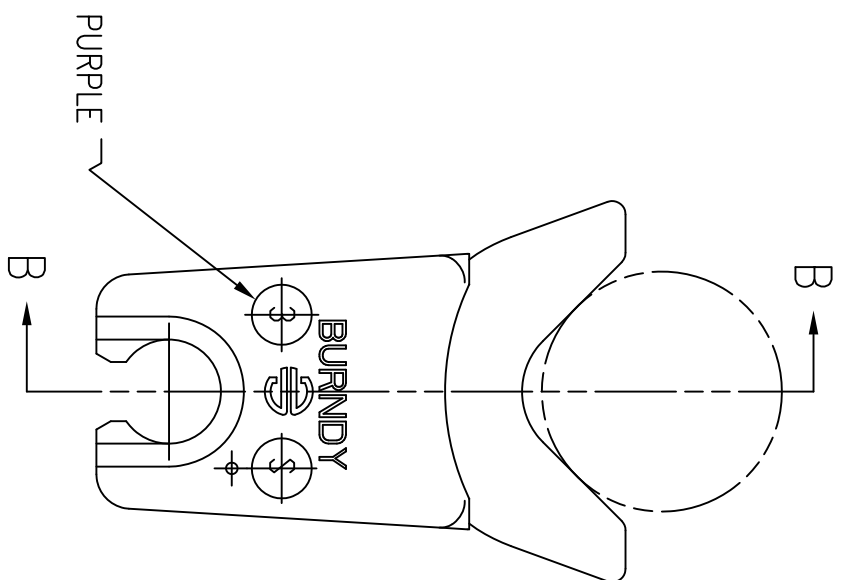
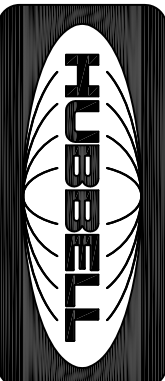


CATALOG NUMBER	DESCRIPTION
HW28VT	4/0 AWG, DIX 15



- NOTES:
1. KIT CONTAINS ONE DIE SET.
  2. MATERIAL : STAINLESS STEEL.
  3. SPECIFICATIONS SUBJECT TO CHANGE WITHOUT NOTICE.

Created on AUTOCAD		DIMENSIONING AND TOLERANCE PER ANSI Y14.5M-1982 UNLESS OTHERWISE SPECIFIED, DIMENSIONS ARE IN INCHES (MM). TOLERANCES .XX = ±.01 (.25) .XXX = ±.005 (.127) .XXXX = ±.0025 (.0635) ANGLE TOL ±1°		PROJECT REFERENCE: <b>2011-041</b>		 <b>Hubbell Premise Wiring</b> HUBBELL INCORPORATED (Delaware) 23 CLARA DRIVE, SUITE 103 MYSTIC, CT 06355	
IN ACCEPTING OUR DRAWINGS, BLUEPRINTS, OR SUPPORTING DOCUMENTATION FOR QUOTATION OR OTHER PURPOSES, YOU AGREE NOT TO DISCLOSE TO OTHERS THE IDEAS, INFORMATION, OR DESIGNS SHOWN HEREIN, AND THAT YOU WILL MAKE NO USE OF SAME WITHOUT PERMISSION		DRAWN BY: M. ABBY 01/22/13		MATERIAL: SEE NOTES		TITLE: DIE SET, 4/0 AWG, CU, DIX 15 W DIE SET FAMILY	
18075 01/25/13 INITIAL RELEASE		MMA		CHECKED BY:		SIZE DRAWING NO. C HW514222C	
REV. ECN DATE DESCRIPTION		CHG BY APPD BY		APPROVED BY:		SCALE: N/A SHEET 1 OF 1	
						REV. 1	